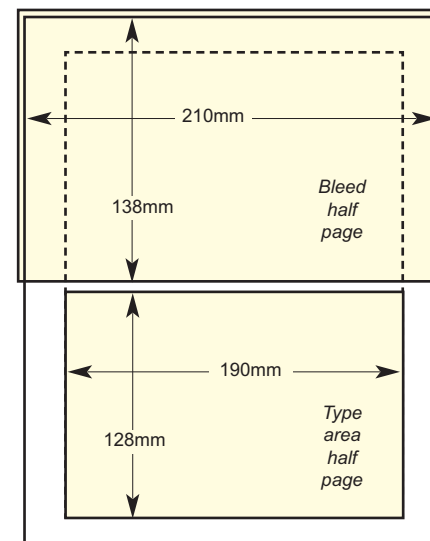
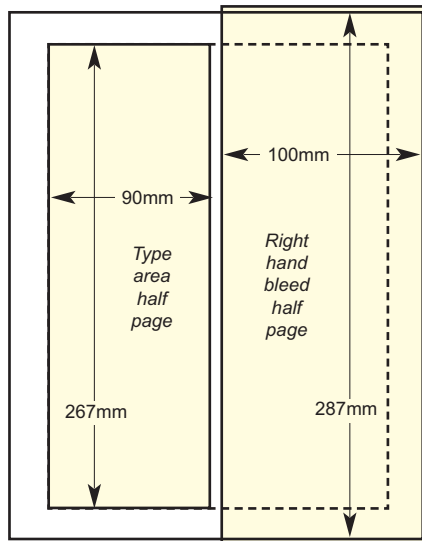
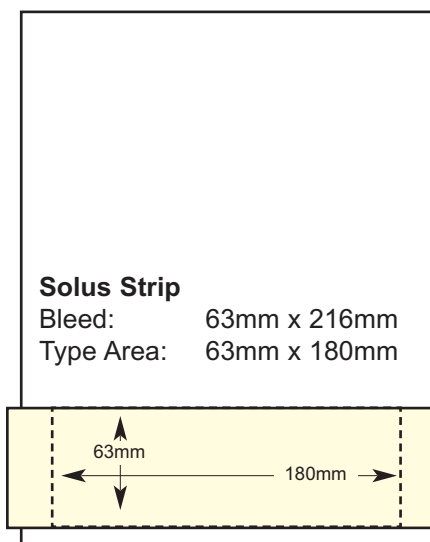
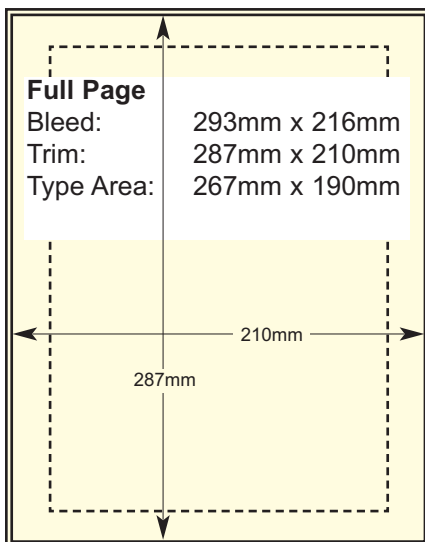
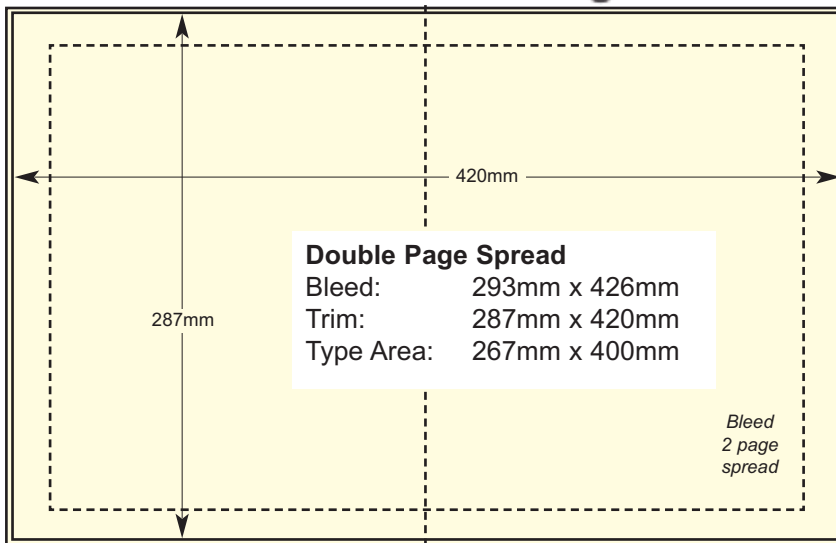


Technical specifications for funds europe funds global



Half Page Vertical

Bleed: 293mm x 103mm
 Trim: 287mm x 100mm
 Type Area: 267mm x 90mm

Half Page Horizontal

Bleed: 141mm x 216mm
 Trim: 138mm x 210mm
 Type Area: 128mm x 190mm

PRINT COPY

Michael Fennessy
 +44 (0)20 3427 5226
 mf@funds-europe.com

SIZES in millimetres: height x width

AD COPY PREFERRED FORMAT

High-definition, print-quality PDF-X1 file
 - all fonts embedded
 - all transparency effects flattened
 - all colours converted to CMYK

LOGOS PREFERRED FORMAT

EPS (else very hi-res 300dpi TIFF/JPG)

DELIVERY

PDF file by **email** - we will acknowledge receipt

DEADLINES

Unless advised otherwise, print copy should reach us by 19th of month before publication. Please contact us if in doubt.

WEB COPY

Steve Dimitrov
 +44 (0)20 3178 5873
 steve.dimitrov@funds-europe.com

SIZES in pixels: width x height

WEBSITE BANNERS

Large leaderboard	960px x 119px
Leaderboard	728px x 90px
MPU	300px x 250px
Rectangle	209px x 174px
Button	220px x 90px

NEWLETTER BANNERS

Leaderboard	728px x 90px
Rectangle	180px x 150px

IMAGE FORMATS

Static image	JPG or GIF
Moving image	animated GIF *
Max. file size	100Kb

* Microsoft Outlook products render animated gifs as a single static image

December 2013